

Characteristics

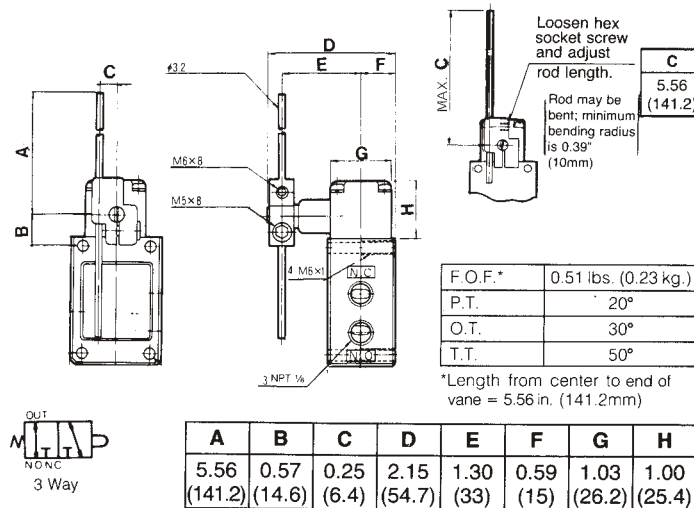
Port Size	1/8"
Cv	0.33
Max Supply Pressure	220 PSIG (15Kgf/cm ²)
Operating Pressure	**10 Torr ~ 150psig (10 Torr ~ 9.9Kgf/cm ²)
Operating Temperature	40-140F
Media	Air / Liq*
Materials	
Body	Aluminum Die Cast
Spool, Stem, Spring	Stainless Steel
Seals & Poppets	Buna N
Weight oz. (G)	6.36 (180)

* Air (Lubricated) - Any non-flammable, non-toxic, non-corrosive gases except oxygen.

* Liquid - Oil or non-corrosive liquids within specified pressures

SMC Mechanical Valves have been designed to meet general industrial standards and are capable of long, trouble-free life under stringent operating conditions. The simple construction, utilizing corrosion resistant aluminum Die Cast bodies with optional heavy duty actuators and Buna N seal design, ensure positive operation and media control.

NVM830-N01-14



Head Office: 12532 - 124St. Edmonton, AB, T5L 0N5

Edmonton
780-474-2365 (fax) 477-1576
Calgary
403-685-8867 (fax) 685-8868